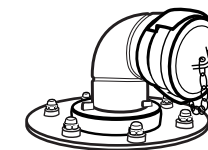
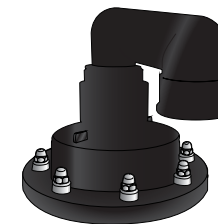
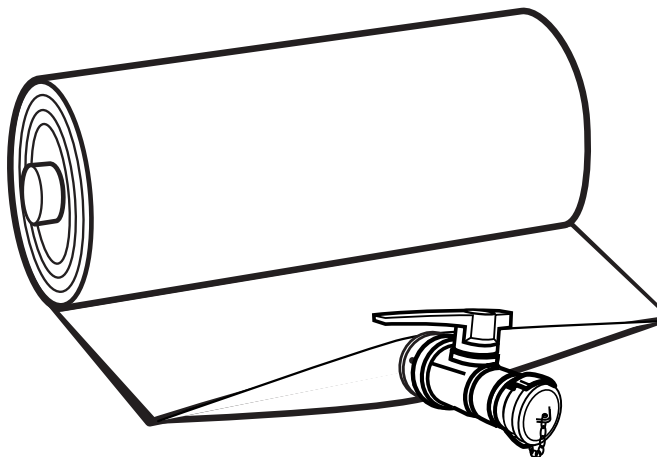




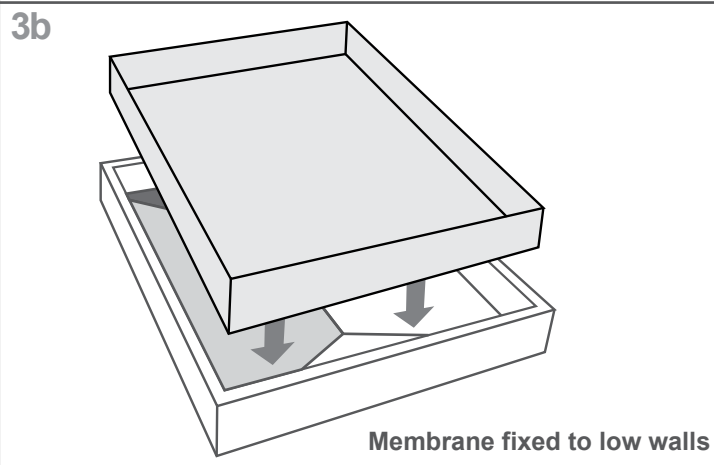
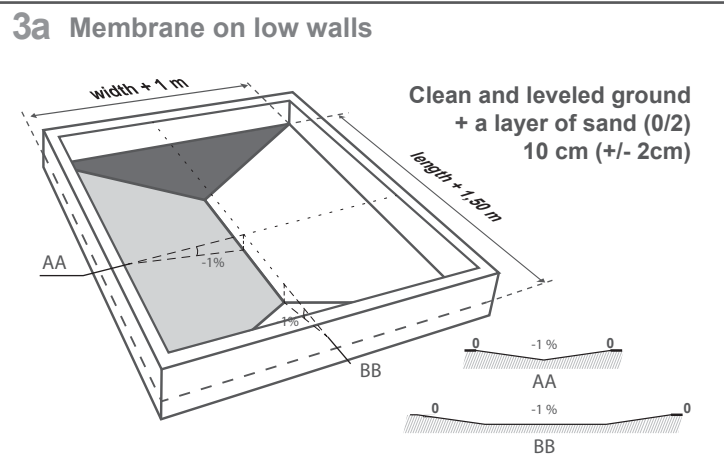
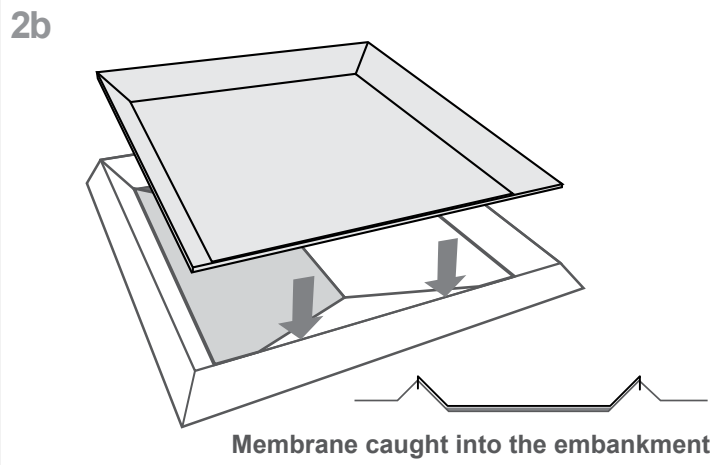
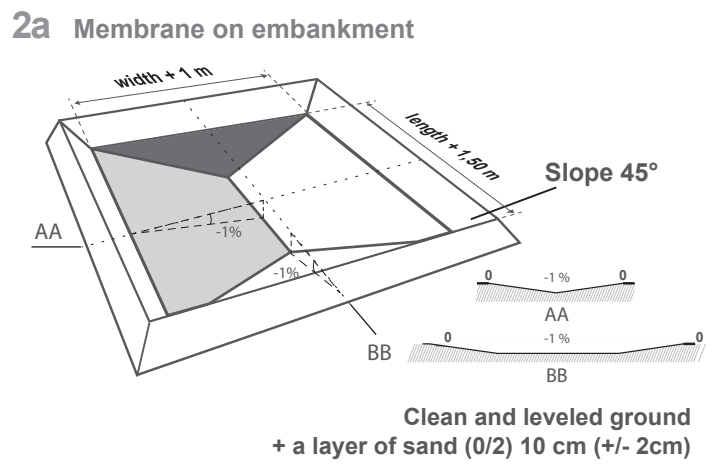
1

WARNING

If the filling is not done immediately:
ballast the tank
 with a minimum of 5 cm of liquid



Optional
On the top filling



4

IMPORTANT

Installation of the tank according to its volume

V. (m ³)	
1 to 100	1 to 2
100 to 300	3 to 4

It is **strictly forbidden** to handle the product with machines to avoid any deterioration



5

Follow the unfolding plan
attached to this installation guide

6 Unfold the tank according to the diagram

7

MANDATORY

Mounting pads necessarily before filling for each angle

Use wrench 10 (not provided)

8 Stir the tank by the angles from top to bottom **manually**

This step is necessary to pass air under the tank to facilitate its movement and positioning

9 Shake and spread correctly the tank to remove all the folds

It is **ESSENTIAL** to install the tank correctly to fill

10

Optional

11

Overview on embankment

Follow the user instructions

12

Overview on low walls

Follow the user instructions