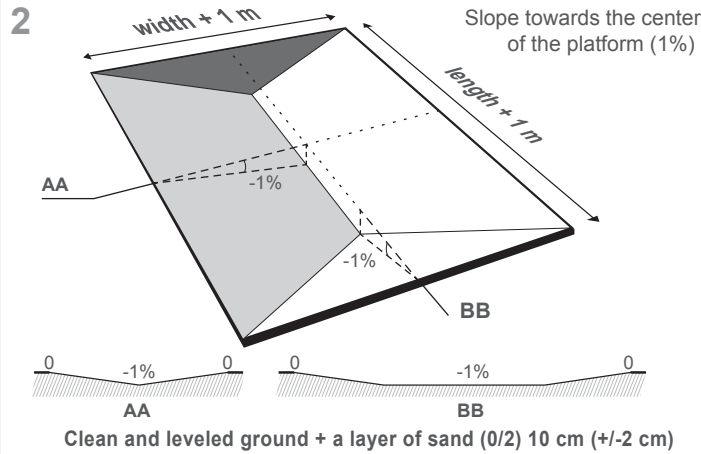


**WARNING**

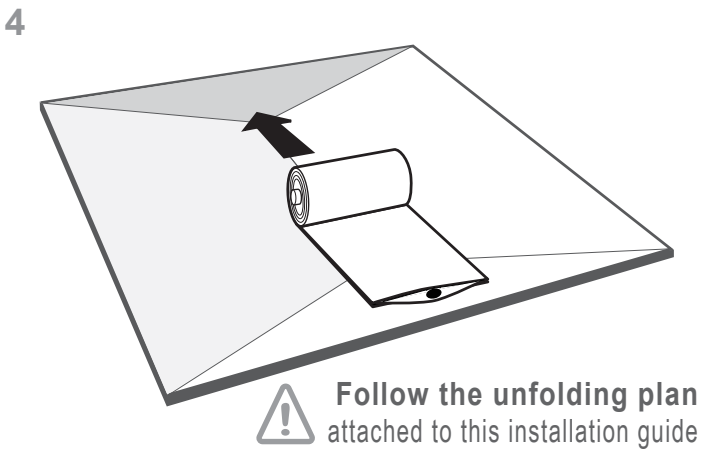
If the filling is not done immediately:  
**ballast the tank** with a minimum of 5 cm of liquid



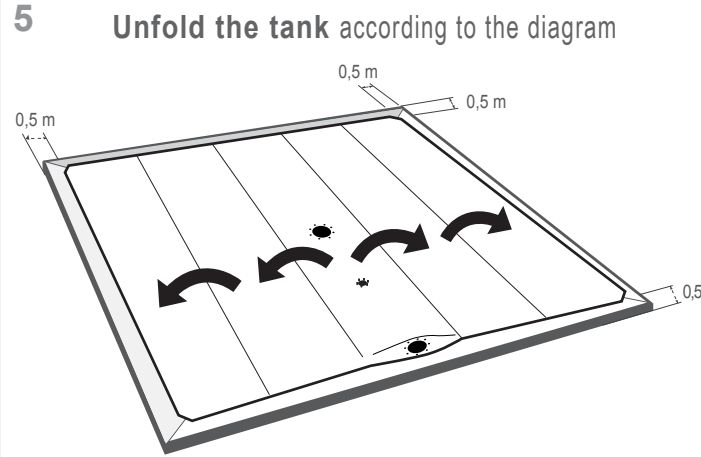
**3 IMPORTANT**  
Installation of the tank according to its volume

V. (m <sup>3</sup> )	Number of people
1 to 180	1 to 2
180 to 480	3 to 4
480 to 800	4 to 6
800 to 1200	6 to 8
> 1200	8 to 10

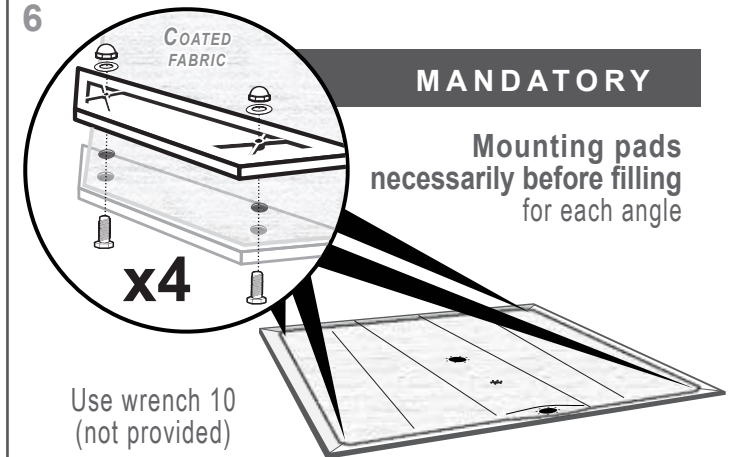
It is **strictly forbidden** to handle the product with machines to avoid any deterioration



**Follow the unfolding plan** attached to this installation guide

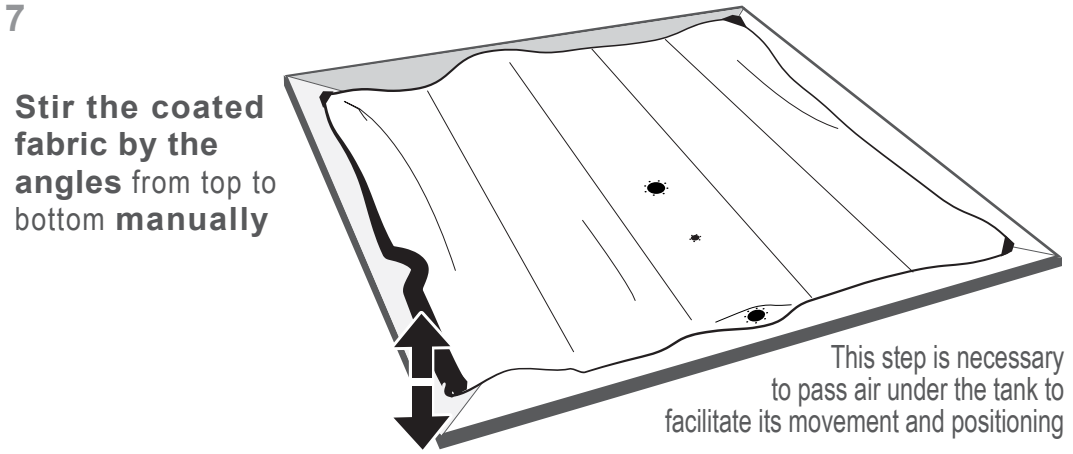


**5 Unfold the tank** according to the diagram



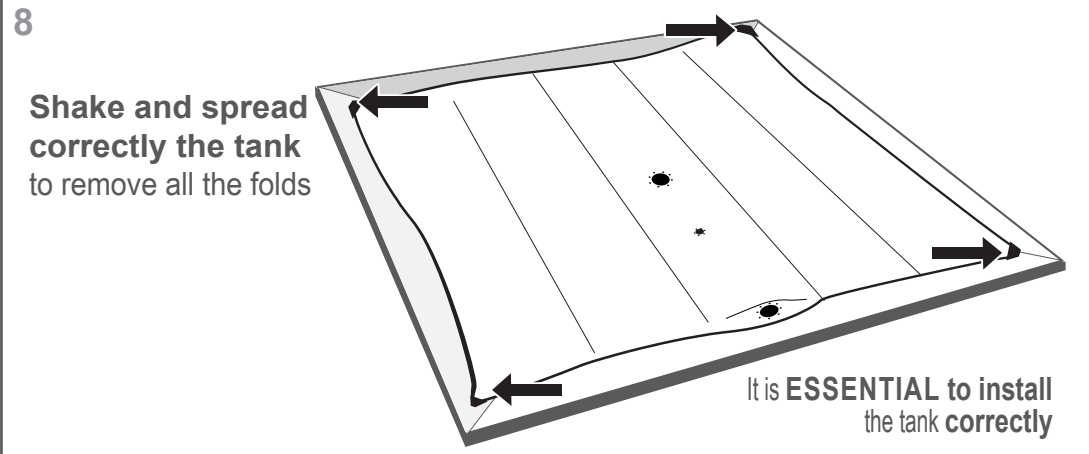
**MANDATORY**

**Mounting pads necessarily before filling** for each angle



**Stir the coated fabric by the angles** from top to bottom **manually**

This step is necessary to pass air under the tank to facilitate its movement and positioning

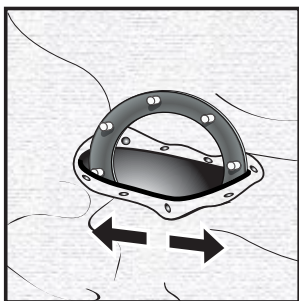


**Shake and spread correctly the tank** to remove all the folds

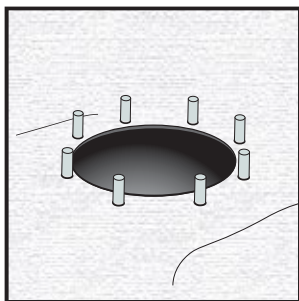
It is **ESSENTIAL** to install the tank **correctly**



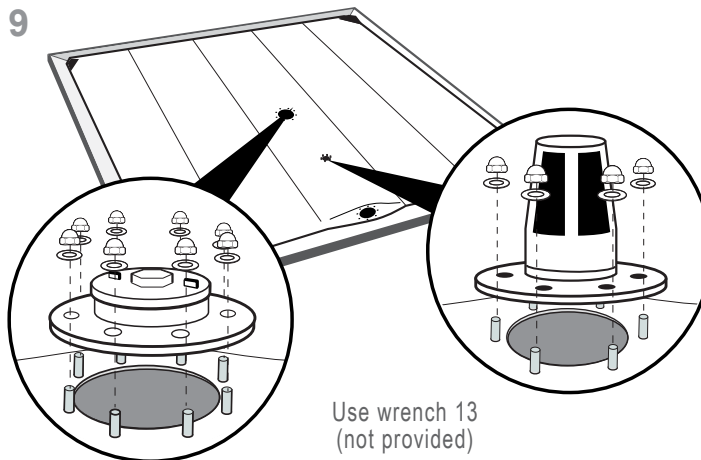
**8 FOR ALL THE BRANCHES**



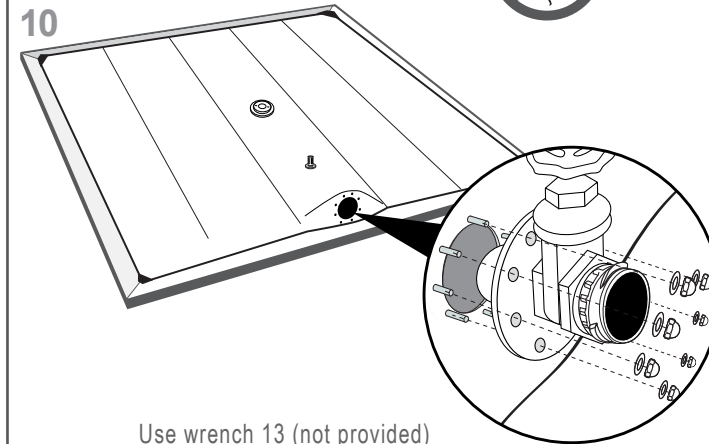
**STRETCH WITH CARE**  
without tools, in order to pass  
inside the flange with its seal



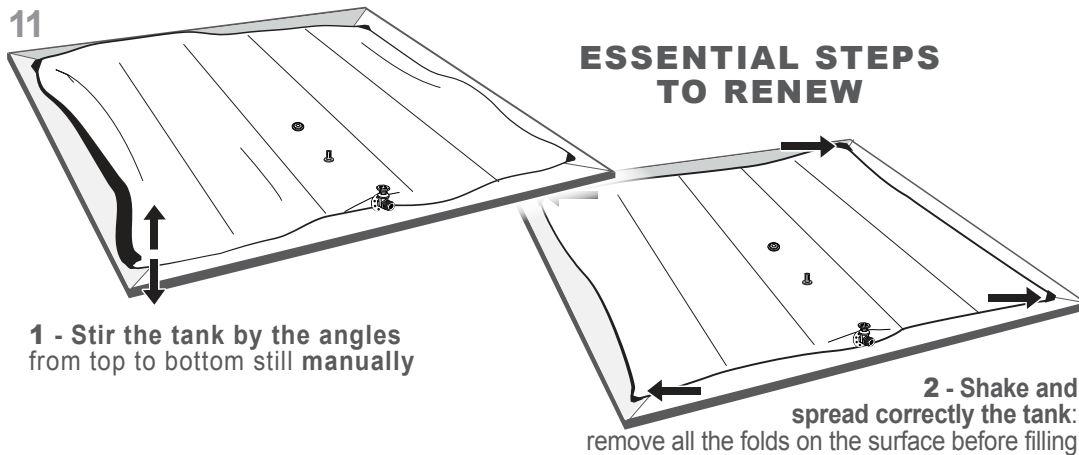
**Install correctly  
the flange in its branch**



Use wrench 13  
(not provided)



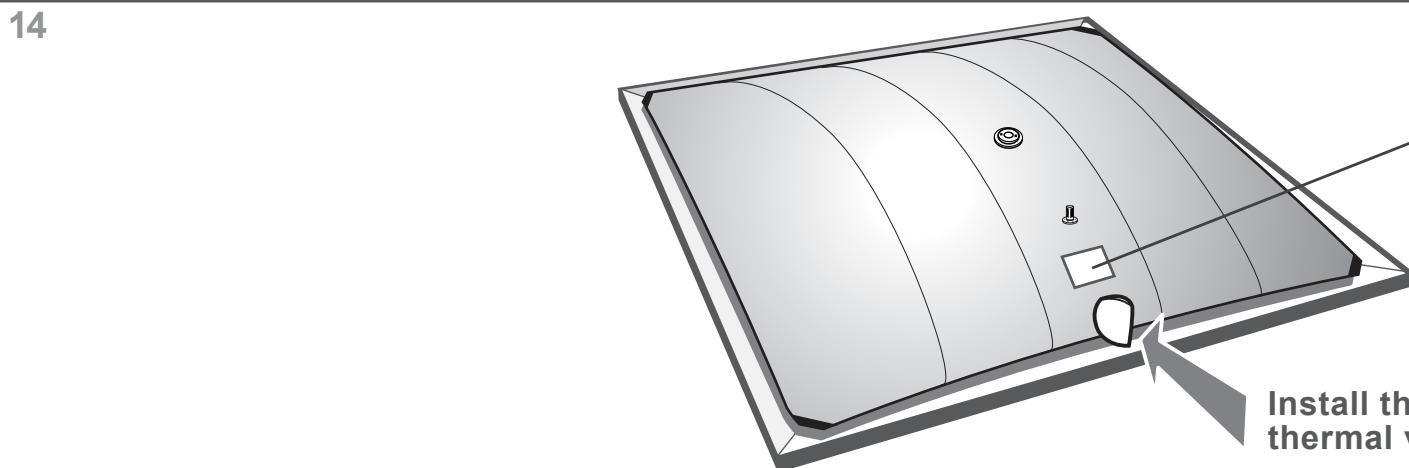
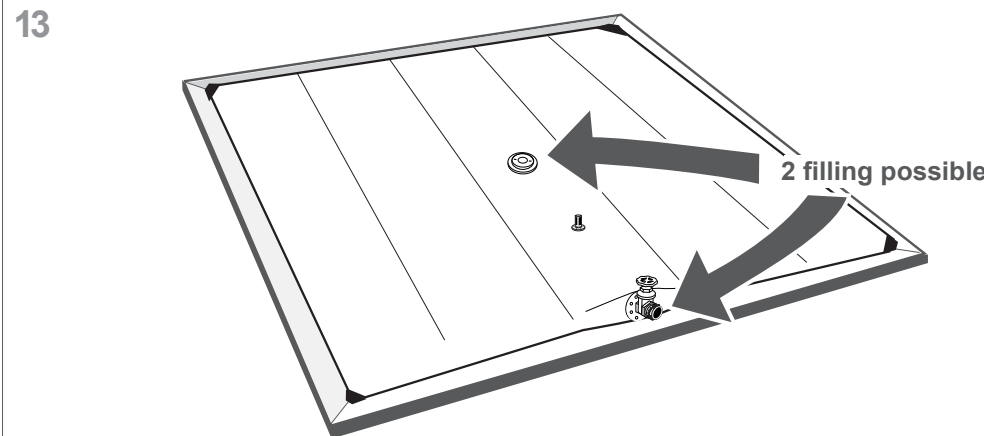
Use wrench 13 (not provided)



**ESSENTIAL STEPS  
TO RENEW**

**1 - Stir the tank by the angles  
from top to bottom still manually**

**2 - Shake and  
spread correctly the tank:  
remove all the folds on the surface before filling**



**Follow the user  
instructions**

**Install the  
thermal valve protection**