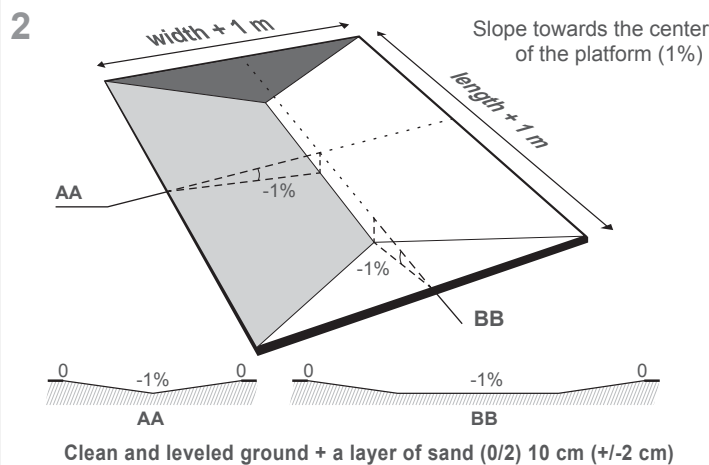


STEP 14

OPTIONAL

WARNING

If the filling is not done immediately:
ballast the tank with a minimum of 5 cm of liquid

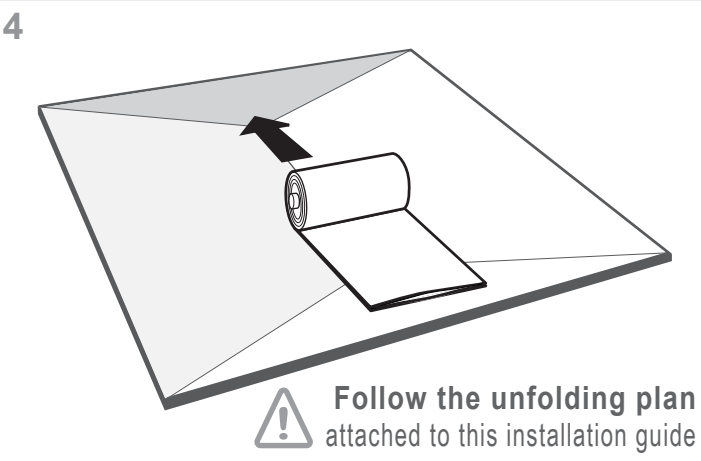


3

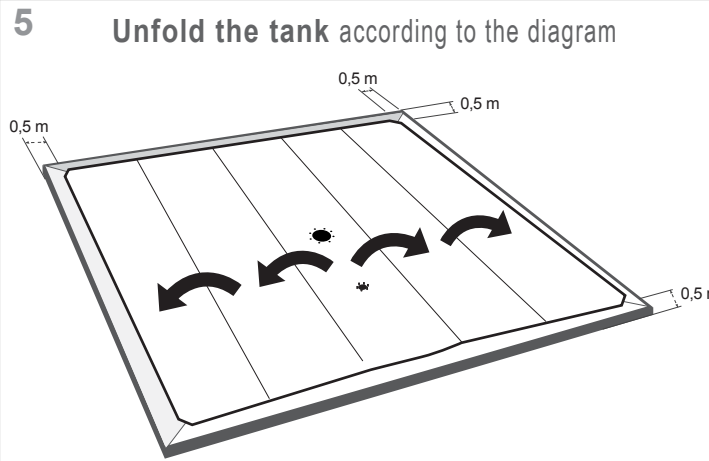
IMPORTANT
Installation of the tank according to its volume

V. (m ³)	Number of people
1 to 180	1 to 2
180 to 480	3 to 4
480 to 800	4 to 6
800 to 1200	6 to 8
> 1200	8 to 10

It is **strictly forbidden** to handle the product with machines to avoid any deterioration



Follow the unfolding plan attached to this installation guide

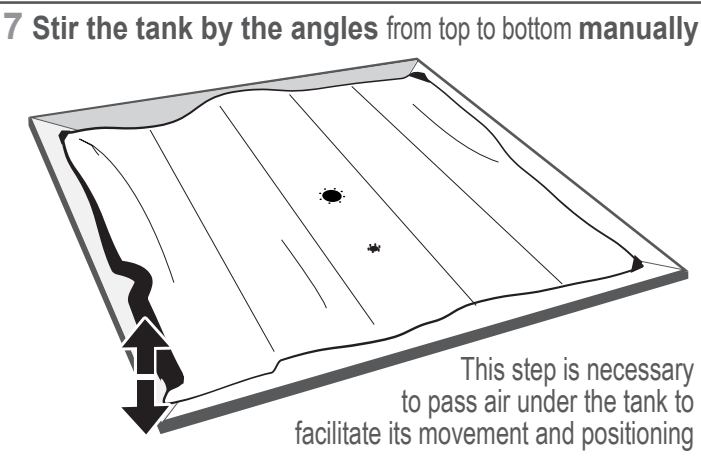


5 **Unfold the tank according to the diagram**

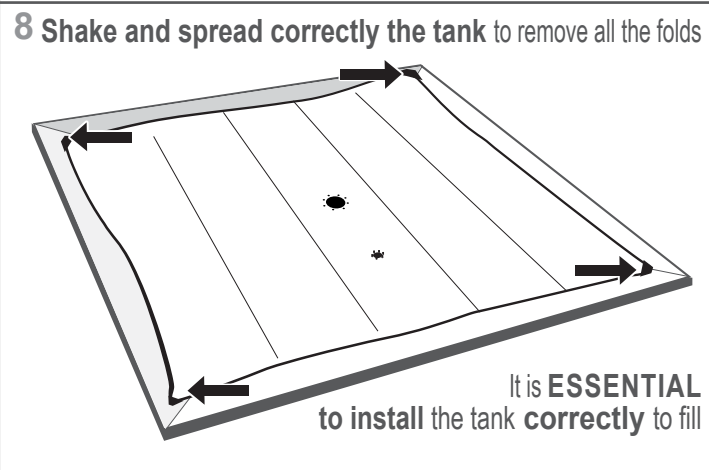
MANDATORY

Mounting pads necessarily before filling for each angle

Use wrench 10 (not provided)



This step is necessary to pass air under the tank to facilitate its movement and positioning



It is **ESSENTIAL** to install the tank **correctly** to fill

9 **FOR ALL THE BRANCHES**

STRETCH WITH CARE without tools, in order to pass inside the flange with its seal

Install correctly the flange in its branch

