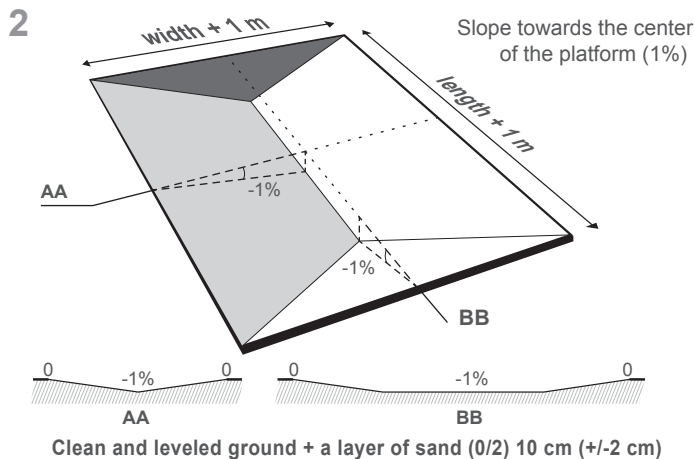


WARNING

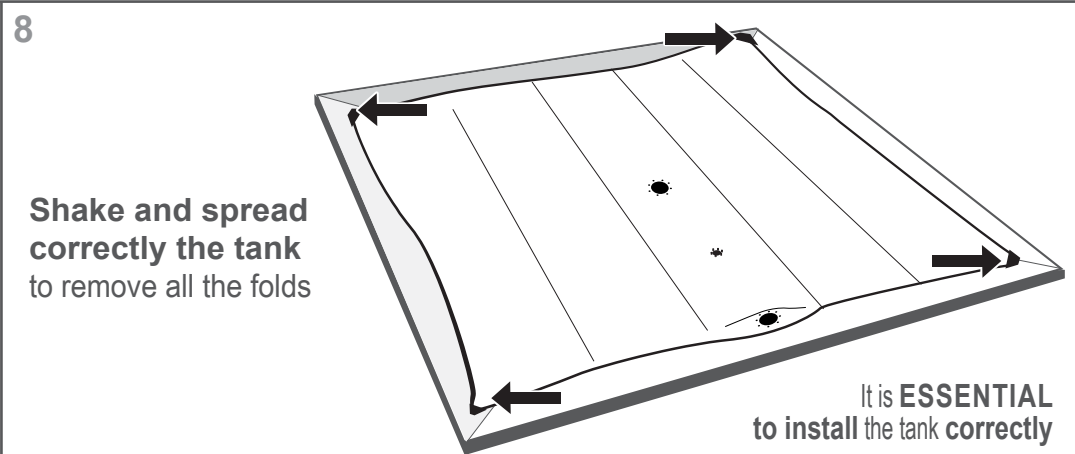
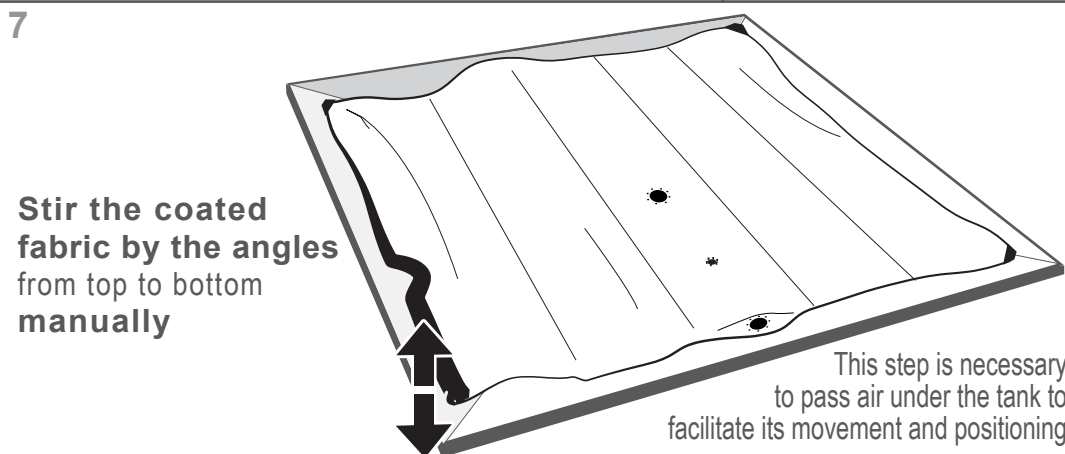
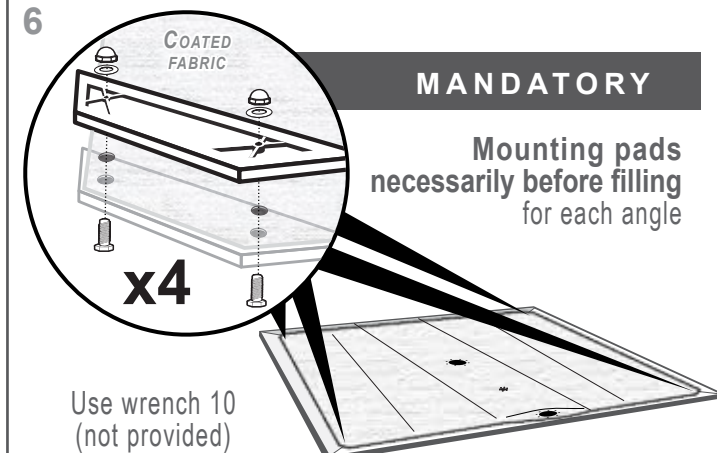
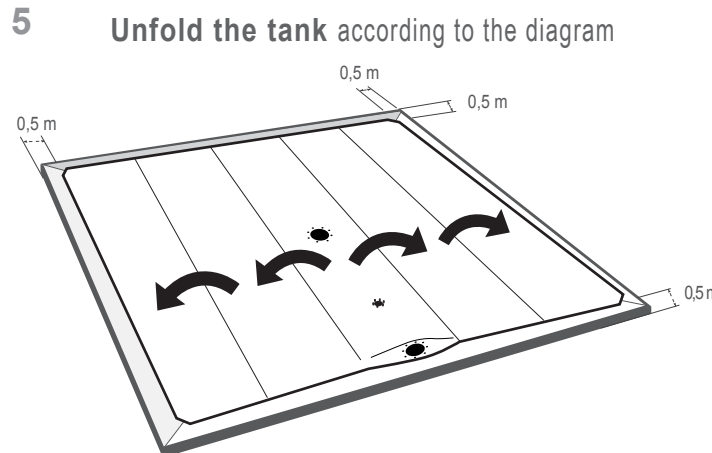
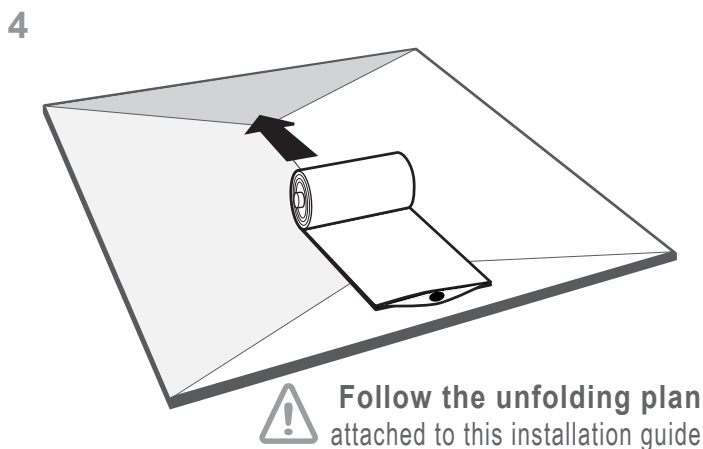
If the filling is not done immediately:
ballast the tank with a minimum of 5 cm of liquid



3 IMPORTANT
Installation of the tank according to its volume

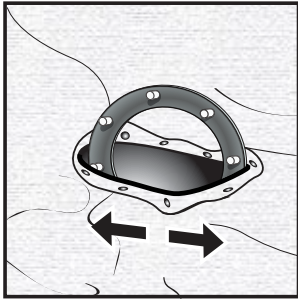
V. (m ³)	Number of people
1 to 180	1 to 2
180 to 480	3 to 4
480 to 800	4 to 6
800 to 1200	6 to 8
> 1200	8 to 10

It is **strictly forbidden** to handle the product with machines to avoid any deterioration

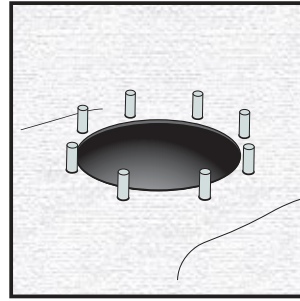




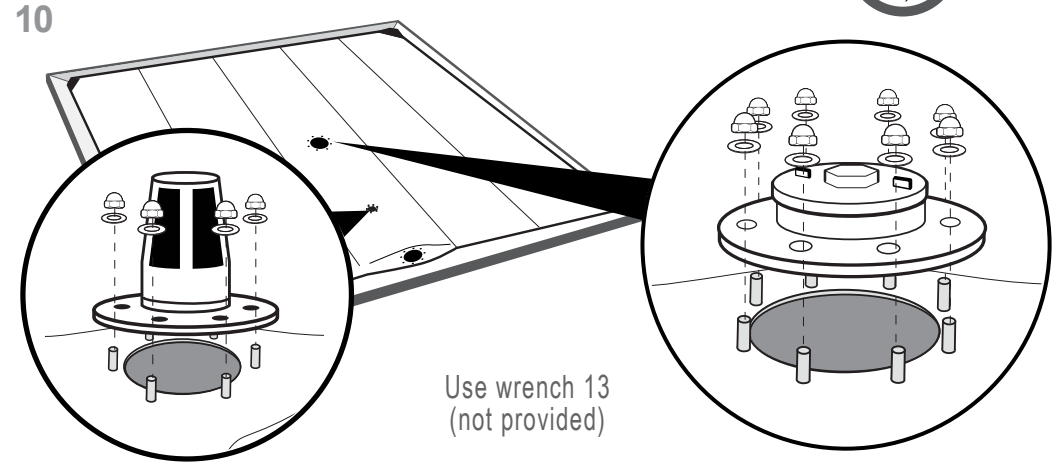
9 FOR ALL THE BRANCHES



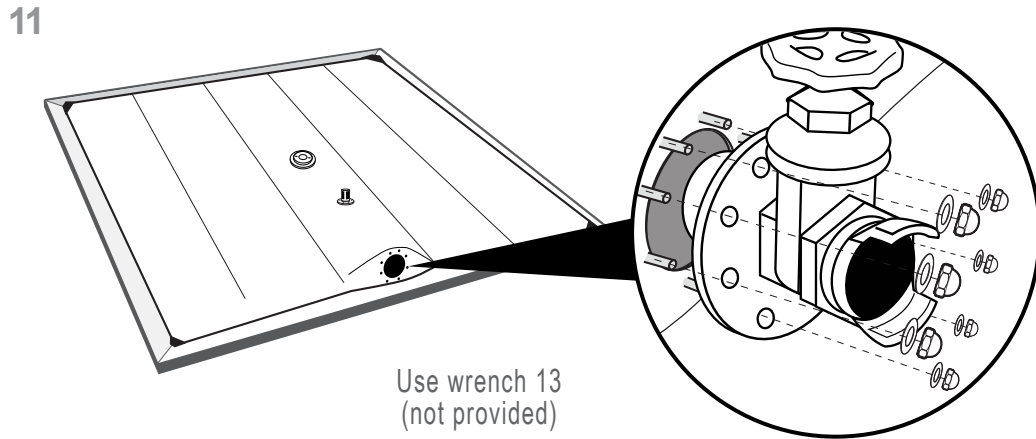
STRETCH WITH CARE
without tools, in order to pass
inside the flange with its seal



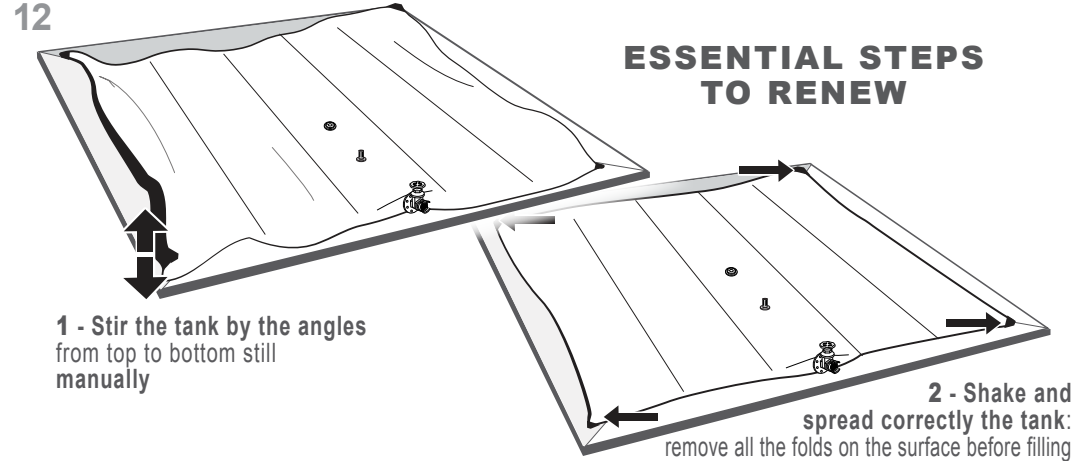
Install correctly the flange
in its branch



Use wrench 13
(not provided)



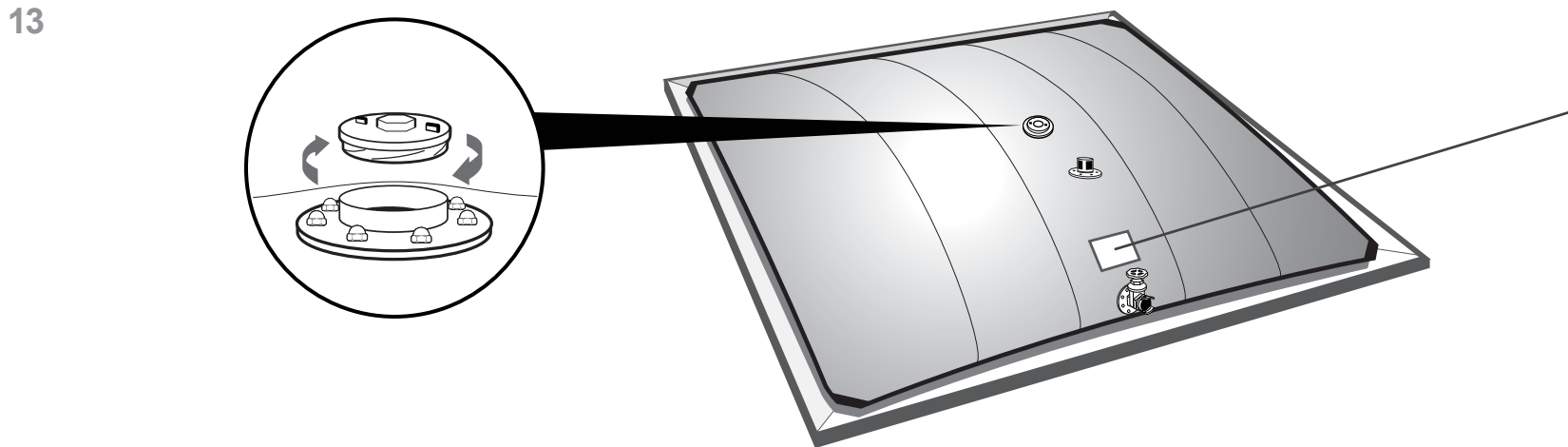
Use wrench 13
(not provided)



**ESSENTIAL STEPS
TO RENEW**

1 - Stir the tank by the angles
from top to bottom still
manually

2 - Shake and spread correctly the tank:
remove all the folds on the surface before filling



**Follow the user
instructions**